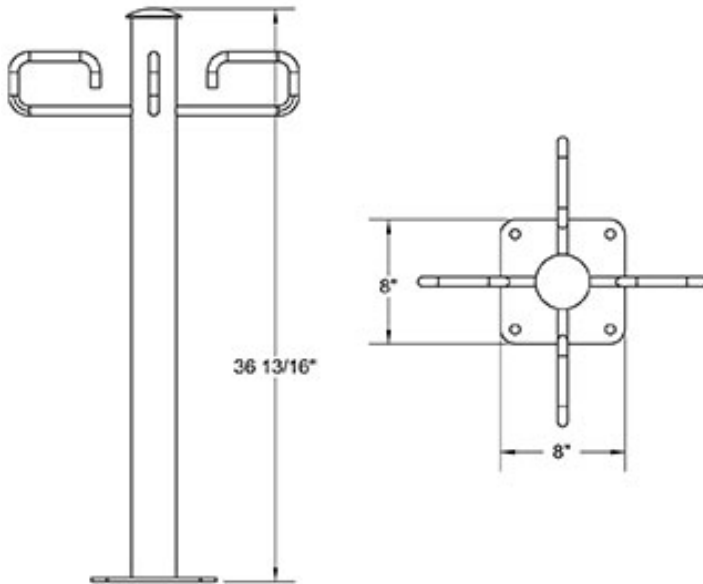




**BarkPark Lease Post - Surface Mount.**

- 33 Lbs.
- 3 1/2" Diameter Post x 36" tall.
- 3 1/2" O.D. x 10 gauge pre-galvanized structural steel tubing.
- 8" Square x 1/3" thick steel surface mounting plate.
- 5/8" Solid leash attachment rods.
- Electrostatic powder coat coated application over cured frame.
- Available in green or blue powder coated finish.
- 5 Year warranty.

**Item #:** US PBARK480



**NATIONAL OUTDOOR FURNITURE, INC.**  
1210 W. Main Street #296 Riverhead, NY 11901  
Toll-Free Phone: 1-888-663-4621  
Phone: 631-369-9099 Fax: 631-207-8312  
Email: [nofinc@optonline.net](mailto:nofinc@optonline.net)  
[www.nationaloutdoorfurniture.com](http://www.nationaloutdoorfurniture.com)

**NATIONAL OUTDOOR FURNITURE, INC.**  
144 Murdock Road #325 Pomfret Center, CT 06259  
Toll-Free Phone: 1-888-516-8873  
Phone: 1-860-974-1551 Fax: 516-706-1901  
Email: [nofinc@earthlink.net](mailto:nofinc@earthlink.net)  
[www.nationaloutdoorfurniture.com](http://www.nationaloutdoorfurniture.com)